



**LAHTI**  
**PRECISION**

Mestarinkatu 2, P.O.B. 22  
FI-15801 Lahti, Finland  
Tel. +358 3 829 21  
Fax +358 3 829 4100  
[www.lahtiprecision.com](http://www.lahtiprecision.com)

# Lahti Precision REK- Mounting kits for

## RC2 load cells 1 t ... 470 t

- The key to high-precision performance in industrial weighing

Mounting kits designed specially for RC2 load cells are an ideal solution for very precise and reliable industrial weighing and dosing. The mounting kit eliminates changes in measures due to loading and thermal expansion, process equipment-generated lateral forces and

vibrations, otherwise prone to affect the measuring results.

The right mounting kit ensures the best performance of the load cell.

# REK mounting kits for RC2 load cell in the range from 1 t to 470 t

## REK 1 t ... 470 t

### Elastomer mounting kits

- Easy installation
- Self-centering construction
- High resistance to chemicals
- Minimum maintenance needs
- For tough environmental conditions
- Suitable for commercial use

RC2 load cell in REK mounting kit is the most common solution in tank and silo weighing as well as in weighbridges. The rubber parts of the mounting kit take and absorb the shock loads and vibration. The mounting kit offsets bending in structures due to loads, minor mistakes in mounting and thermal expansion. The construction allows differences in levels for upper and lower fastening faces up to 10 mm/m (= 0.6°).

The construction self-centering force is 2...4 % of the mounting kit nominal load L, with maximum lateral deviation (measure P). The mounting kit is delivered with shims (5 x 1 mm) for correcting possible differences in levels at mounting site.

Lahti Precision also supplies mounting kits with horizontal and vertical constrainers to take large lateral or upward forces affecting the weighbridge. These mounting kits are used in truck scales, in silo weighing outside as well as in mixers.

The right mounting kit ensures the optimal weighing accuracy and safe performance of the system also in tough conditions.



REK 1 t...4,7 t

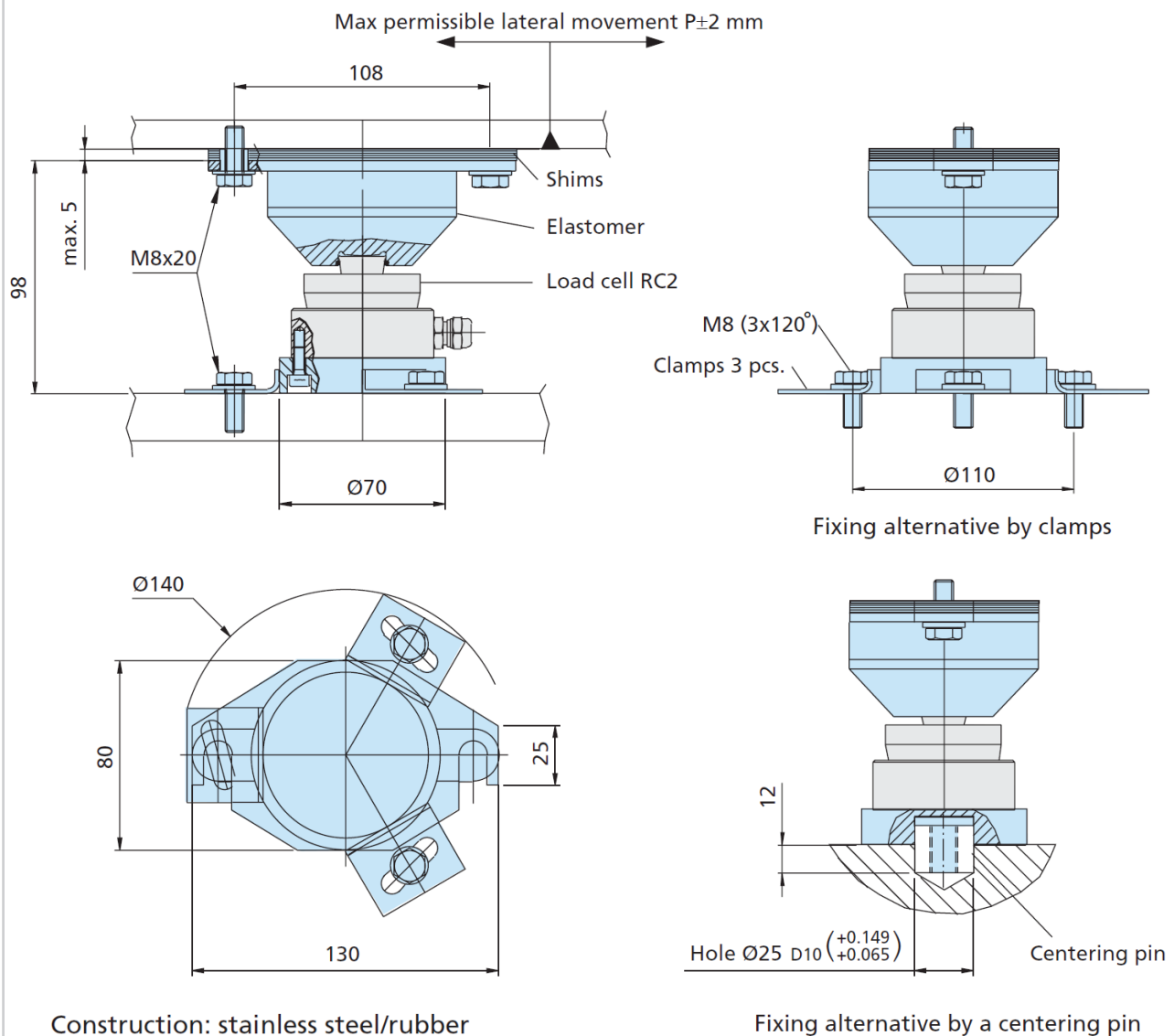


REK 10 t...470 t

# Technical specification and dimensions, REK-002 and REK-005

Mounting kit REK-002 for load cells RC2 – 1 t and RC2 – 2.2 t

Mounting kit REK-005 for load cells RC2 – 4.7 t



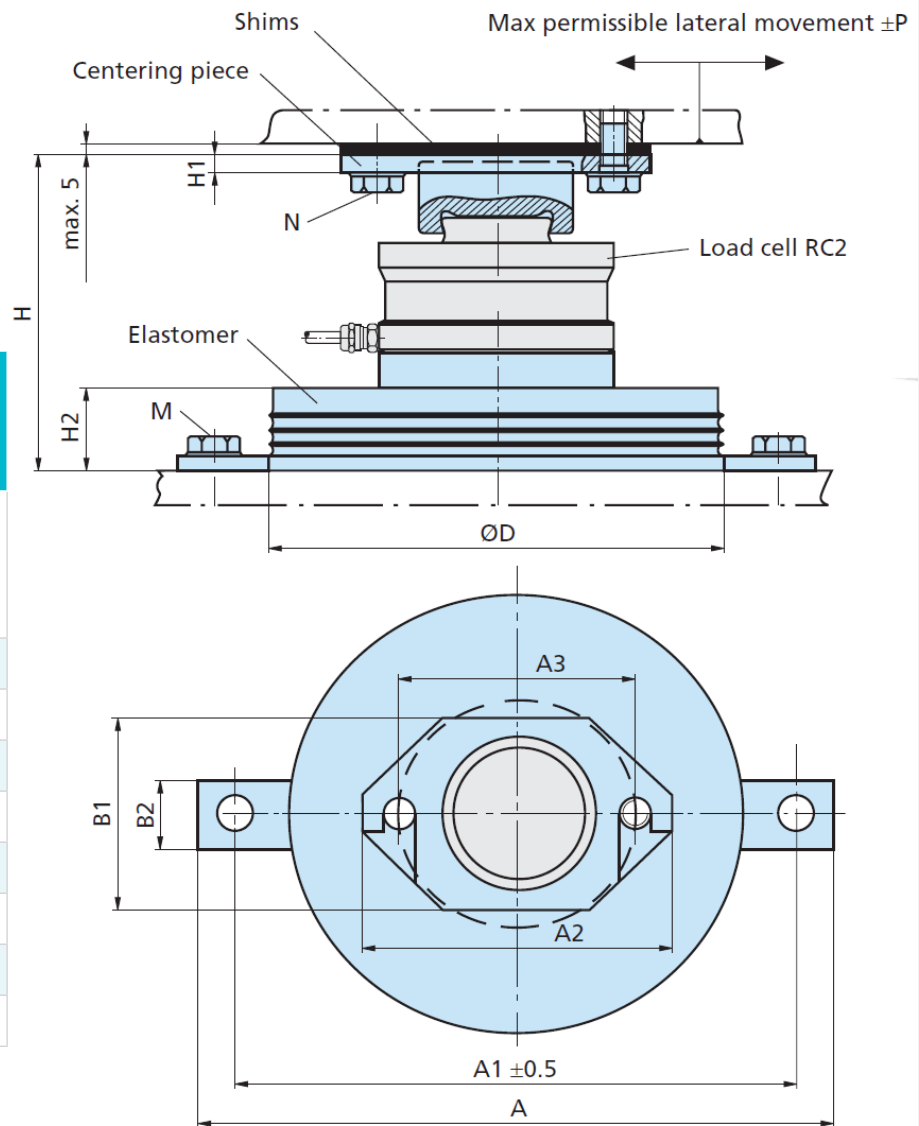
Mounting kit	Nominal load L	Corresponding load cell (to be ordered separately)	Centering force $F_k$	Compression	Weight
REK-002-S	1 t	RC2 – 1 t	0,2 kN/mm	0,4 mm/1 t	4,8 kg
	2,2 t	RC2 – 2,2 t	0,2 kN/mm	0,8 mm/2,2 t	4,8 kg
REK-005-S	4,7 t	RC2 – 4,7 t	0,4 kN/mm	0,6 mm/4,7 t	4,8 kg

# Technical specification and dimensions, REK-022 ... REK-470

Mounting kit REK-022...REK-470 for load cells RC2 – 10 t...470 t

Mounting kit	Corresponding load cell (to be ordered separately)
REK-022-S	RC2 – 10 t
REK-022-G	RC2 – 15 t RC2 – 22 t
REK-033-G	RC2 – 33 t
REK-047-G	RC2 – 47 t
REK-068-G	RC2 – 68 t
REK-100-G	RC2 – 100 t
REK-150-G	RC2 – 150 t
REK-220-G	RC2 – 220 t
REK-330-G	RC2 – 330 t
REK-470-G	RC2 – 470 t

S = Stainless steel (only size 022)  
G = Galvanized steel



REK	Nominal load L (t)	Mounting dimensions mm													Centering force $F_k$ kN/mm	Compression mm	Weight kg
		A	A1	A2	A3	B1	B2	H	H1	H2	D	M	N	P			
022	22	190	170	90	68	60	25	130	6	41	135	10x25	10x25	6	1,4	0,5	7
033	33	280	250	120	90	80	30	168	6	56	175	12x25	12x25	6	2,0	0,8	22
047	47	350	310	170	130	110	40	198	10	63	250	16x30	16x30	6	3,3	0,5	33
068	68	350	310	170	130	110	40	220	10	63	250	16x30	16x30	6	3,3	0,7	35
100	100	400	360	180	140	130	40	239	10	68	300	16x30	16x30	6	4,0	0,6	50
150	150	510	460	180	140	130	50	320	10	81	400	20x45	16x30	8	6,7	0,7	115
220	220	560	510	260	200	180	50	373	12	81	450	20x45	20x45	8	10	0,7	200
330	330	680	620	260	200	180	60	428	12	96	550	24x40	24x40	10	6,7	1,0	330

Weight incl. load cell.