



**LAHTI**  
**PRECISION**

Mestarinkatu 2, P.O.B. 22  
FI-15801 Lahti, Finland  
Tel. +358 3 829 21  
Fax +358 3 829 4100  
[www.lahtiprecision.com](http://www.lahtiprecision.com)



# WA-800 Product Family

## Technical Specifications

### Indicators

- WA-801
- WA-802
- WA-802r
- WA-810

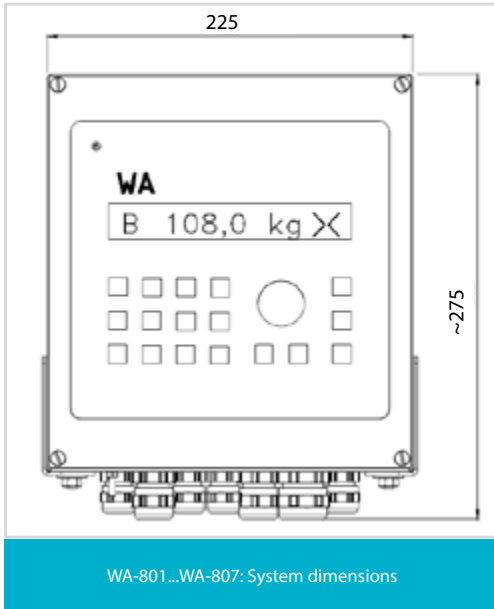
### Controllers

- WA-804
- WA-805
- WA-806
- WA-807



# WA-800 Product Family

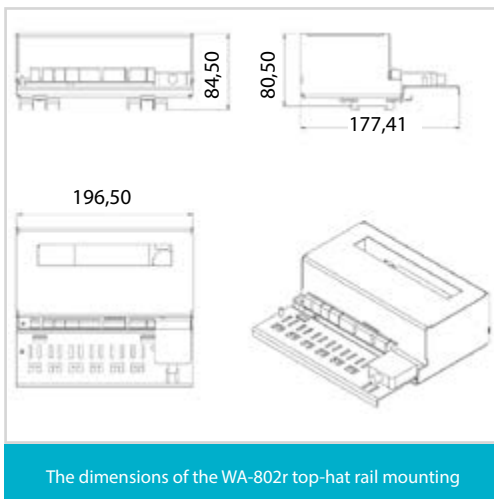
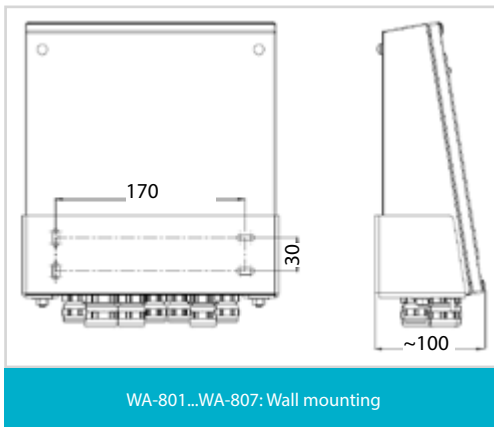
## System dimensions



The WA-800 is a complete weighing indicator for a variety of applications.

The WA-800 Product Family offers two housing options, which include a tabletop device and a wall-mounted device both in stainless steel design. The protection class of these devices are IP65.

Protection class of the WA-802r is IP20. It's housing material is also stainless steel. WA-802r is installed to DIN-rail.



# WA-800 Product Family

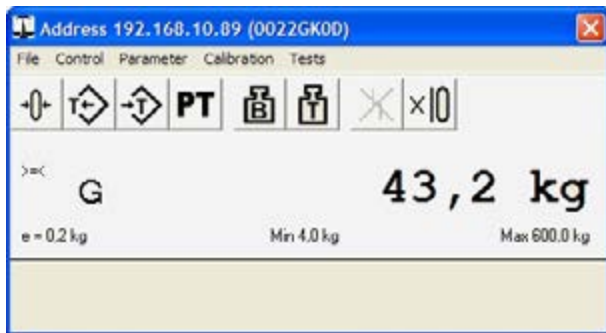
## WA-plan

### OPERATING SYSTEMS

The WA-plan PC program is available for conveniently configuring and parametering the WA-800 Product family scales.

Acceptable operating systems are:

- WINDOWS 2000
- WINDOWS XP
- WINDOWS 7



### Following operations can be configured with WA-plan

- Assign subscriber addresses to the serial bus
- Calibrate the instrument
- Configure interfaced instruments
- Conveniently configure the print pattern
- Read-out and display of weight signals
- Edit and load the language files into WA-800
- Read out the entire system configuration (back-up) and store in the PC
- Load stored data into a WA-800 (restore) for fast substitute system set-up.

### LANGUAGES

Standard WA-800 operation is in Finnish and English. All operator guidance is carried out and data is entered in clear text.

### PARAMETER STORING

All parameter and calibration data are stored power failure safe in the instrument. The real-time clock runs at least 7 days without a power supply.



# WA-800 Product Family

## Weight Indicators and Controllers

### Technical Data

	WA-801	WA-802 WA-804 - 807	WA-802r	WA-810
Display	LCD with backlight, 1 row 20 characters, character height 12mm			
Keyboard	9 keys	21 keys	no keyboard	6 keys
Supply voltage	85-250 VAC, 47-63 Hz, max. 10 VA		18-36 VDC, max. 10 W	85-250 VAC, 47-63 Hz, max. 10 VA
Temperature range	Operating temperature: -30 to +60 °C, storage: -40 to +80 °C Legal for trade operating temperature: -20 to +40 °C			
Measuring channels	1			
Load cell supply	5 VAC			
Input signal	0 to 15 mV			-20 mV...+20 mV
Sensitivity	0,6 µV/d			
Measuring units	kg, g, t, lb, N, kN			kg/h, t/h, lb/h
Increment value	1, 2 and 5, etc. adjustable from 0.01 - 5000			
Number of digits	Legal-for-trade operation (EN45501, OIML III) Max. 6000 d Multi-range scale 3 x 6000 d, Multi-interval scale 3 x 6000 d No limitation to resolution in non legal-for-trade operation			
Taring	To 100 % of the weighing range			
Zero setting device	Can be set max. 20%. Automatic zero tracking 0.5 d/sec, can be selected; automatic zero setting can be selected			
Load cell impedance	Min 43 Ω (8 x 350 Ω load cell) Max. 4500 Ω			
Date/time	Real time clock (RTC), Back-up time at least 7 days			
Housing	Stainless steel 1.4301; Protection class IP65, suitable for desktop and wall mounting		DIN rail mounting, IP20	Stainless steel 1.4301; Protection class IP65, suitable for desktop and wall mounting
Digital inputs	-	4 x optocoupler, 18 - 36 VDC, typ. 5 mA		WA-802 inputs + 1 x NAMUR, max. 5 VDC, 0.04-3000Hz
Digital outputs	-	4 x relay, 50 VAC/30 VDC, max. 60 W		WA-802 outputs + 1 x optocoupler, 18 - 36 VDC, max. 50 mA
Analog output	1 x 0(4) – 20 mA, 12 Bit, max. load 500 Ω			
Ethernet interface	-	10/100 Mbit/s, integrated		
Standard fieldbus interfaces	Modbus RTU	Modbus RTU, Modbus TCP		
Optional fieldbus interfaces	Profibus DP-V0 DeviceNet	Profibus DP-V0, DeviceNet, Ethernet/IP		
Serial interfaces	1 x RS-232	2 x RS-232, 1 x RS-485 2/4 wire		1 x RS-485 2/4 wire
EDP protocols	Siemens 3964R, S5 (RK512), DDP8672, DDP8785, MODBUS, SB03			-
USB interface	-	Integrated, for PC keyboard		-

# WA-800 Product Family

## Weight Indicators and Controllers

### Technical Data

Devices	
WA-801 Weight Indicator	Basic Weighing Applications
WA-802 Weight Indicator	Advanced Weighing Solutions
WA-802r Weight Indicator	Top-hat Rail Installations
WA-804 Totalizing Scale Controller	Receiving and Load-out Scales
WA-805 Filling Scale Controller	Automatic Filling Scale Applications
WA-806 Discharge Scale Controller	Automatic Discharge Scale Applications
WA-807 Catch Weighing Controller	Automatic Check Weighers
WA-810 Totalizing Belt Scale Indicator	Stand Alone Belt Weighers

Options
Profibus interface module
DeviceNet interface module
PC keyboard (USB)
Legal-for-trade memory module





Lahti Precision Oy  
Mestarinkatu 2, P.O.B. 22  
FI-15801 Lahti, Finland  
Tel. +358 3 829 21  
Fax +358 3 829 4100  
[www.lahtiprecision.com](http://www.lahtiprecision.com)